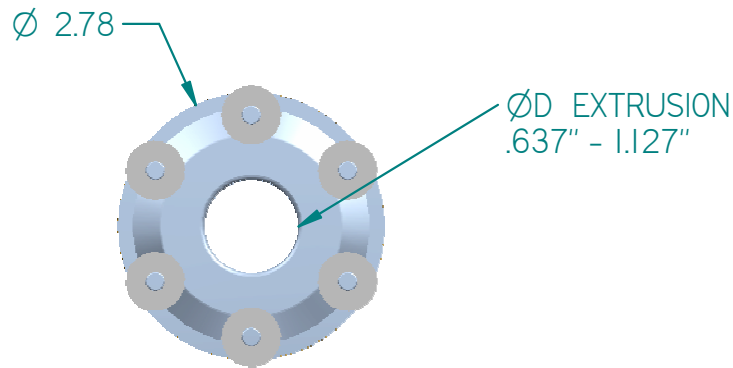
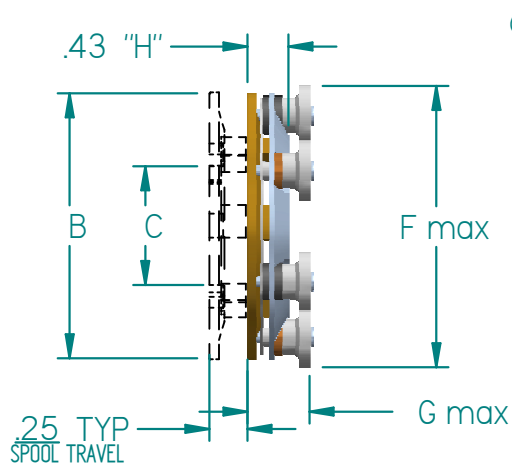


ACTUATOR SPOOLS

O.D. (B)	I.D. (C)
2.38	1.25
2.78	1.25
3.00	1.25



NO.	POLES	FREQUENCY	F max (in)	G max (in)		LOADED CUT-OUT RPM	CUT-IN RPM
1	2	60 Hz	3.04	0.74		2900/2600	1900/1200
2	2	50 Hz	3.05	0.77		2500/2200	1700/1000
3	4	60 Hz	3.14	0.78		1450/1300	1000/600
4	4	50 Hz	3.16	0.84		1200/1050	900/500
5	6	60 Hz	3.18	0.90		950/850	700/400
6	6	50 Hz	3.21	0.98		780/700	550/350

This drawing, design of parts and information on this sheet are the intellectual and exclusive property, confidential information and trade secrets of and are proprietary to TORQ CORPORATION, Bedford, Ohio USA. By receiving and holding possession of this sheet, the holder agrees that without the written authorization of TORQ, the holder will not: (1) make copies of or reproduce in any form or media this sheet or the information on it; and (2) make or manufacture any object based on the information on this sheet.

NOTES:

1. F DIMENSION IS DEFINED AS THE MAXIMUM OUTSIDE DIAMETER OF THE CENTRIFUGAL SWITCH ASSEMBLY OPERATING AT NORMAL RUNNING CONDITIONS. ENSURE PROPER CLEARANCES BETWEEN THE CENTRIFUGAL SWITCH AND MOTOR CONDUCTORS.
2. .006-.010" INTERFERENCE FIT RECOMMENDED BETWEEN "D" AND THE SHAFT.
3. ALL DIMENSIONS ARE IN INCHES.

© TORQ CORPORATION 2015

TORQ[®]
CORPORATION
 BEDFORD, OHIO USA

DWG. NO.		40A020		REV.
TITLE:		C-250 CENTRIFUGAL SWITCH TABULATION		
DRAWN BY	SCALE:	1:1	MATERIAL:	
GRK	DATE:	10/26/15		